

F1

performance validated filters

8 to 1500 scfm



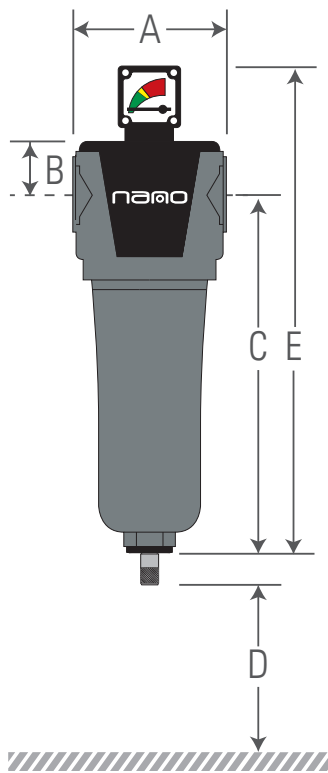
nano F1 performance validated compressed air & gas filters are available in a complete range of element grades designed to meet and exceed industry air quality requirements. Filtration performance is tested and validated by an independent laboratory to ISO 12500 standards.

filter model	replacement element	inlet & outlet NPT	rated flow ⁽¹⁾		dimensions (inches)					approx. weight lbs
	part no.		scfm	Nm ³ /h	A	B	C	D	E	
NF 0008 (grade)	E 0008 (grade)	¼"	8	13	1.93	0.71	5.47	3.00	6.18	0.7
NF 0015 (grade)	E 0015 (grade)	¼"	15	25	1.93	0.71	5.47	3.00	6.18	0.7
NF 0025 (grade)	E 0025 (grade)	¼"	25	42	2.76	0.98	6.65	3.00	9.29	1.3
NF 0030 (grade)	E 0030 (grade)	½"	30	48	2.76	0.98	6.65	3.00	9.29	1.3
NF 0035 (grade)	E 0035 (grade)	¾"	35	59	2.76	0.98	6.65	3.00	9.29	1.3
NF 0050 (grade)	E 0050 (grade)	½"	50	85	2.76	0.98	8.31	3.00	10.93	1.5
NF 0070 (grade)	E 0090 (grade)	½"	70	119	3.94	1.34	9.69	3.00	13.82	3.5
NF 0085 (grade)	E 0090 (grade)	¾"	85	144	3.94	1.34	9.69	3.00	13.82	3.5
NF 0090 (grade)	E 0090 (grade)	1"	90	153	3.94	1.34	9.69	3.00	13.82	3.5
NF 0125 (grade)	E 0135 (grade)	¾"	125	212	3.94	1.34	14.41	3.00	18.55	4.4
NF 0135 (grade)	E 0135 (grade)	1"	135	229	3.94	1.34	14.41	3.00	18.55	4.4
NF 0175 (grade)	E 0175 (grade)	1"	175	297	3.94	1.34	14.41	3.00	18.55	4.4
NF 0280 (grade)	E 0325 (grade)	1¼"	280	476	4.80	1.65	16.50	3.00	20.97	6.2
NF 0290 (grade)	E 0325 (grade)	1½"	290	493	4.80	1.65	16.50	3.00	20.97	6.2
NF 0325 (grade)	E 0325 (grade)	1½"	325	550	4.80	1.65	16.50	3.00	20.97	6.2
NF 0400 (grade)	E 0450 (grade)	1½"	400	680	5.75	2.05	17.01	3.00	21.85	9.2
NF 0450 (grade)	E 0450 (grade)	2"	450	765	5.75	2.05	17.01	3.00	21.85	9.2
NF 0700 (grade)	E 0700 (grade)	2"	700	1190	5.75	2.05	29.06	3.00	33.91	13.9
NF 0850 (grade)	E 1000 (grade)	2½"	850	1445	8.27	2.64	20.94	3.00	26.38	18.7
NF 1000 (grade)	E 1000 (grade)	3"	1000	1700	8.27	2.64	20.94	3.00	26.38	18.7
NF 1250 (grade)	E 1250 (grade)	3"	1250	2125	8.27	2.64	29.53	3.00	34.96	23.1
NF 1500 (grade)	E 1500 (grade)	3"	1500	2550	8.27	2.64	35.75	3.00	41.18	26.4

specifications	NF 0008 to NF 0015	NF 0025 to NF 0050	NF 0070 to NF 1500
design operating pressure range	0 to 232 psig	0 to 232 psig	22 to 232 psig ⁽²⁾
automatic float drain	NDK 0050	NDK 0050	NDK 1500
differential pressure indicator / gauge	-	NDP 0050	NDP 1500

element performance	M25	M5	M1	M01	AC ⁽⁴⁾
maximum particle size (ISO Class) ⁽³⁾	-	3	2	1	-
maximum oil content (ISO Class) ⁽³⁾	-	4	2	1	1
particle removal (microns)	25	5	1	0.01	-
max oil carry over at 68°F (ppm or mg/m ³)	10	5	0.1	0.01	0.003
recommended operating temp range (°F)	35 - 176	35 - 176	35 - 176	35 - 176	35 - 77
design operating temperature range (°F)	35 - 176	35 - 176	35 - 176	35 - 176	35 - 122

pressure correction factors	58	72	87	100	115	145	174	203	232
operating pressure (psig)	0.76	0.84	0.92	1.00	1.07	1.19	1.31	1.41	1.51



(1) at 100 psig. For all other pressures, refer to the pressure correction factor table above

(2) for pressures below 22 psig order with an NDK 0050 condensate drain

(3) per ISO 8573.1:2010

(4) see page 13 for important information regarding the use of activated carbon filters

- for easy identification, elements are color coded. Ensure new element is the same color as the element being replaced. For element specifications and colors refer to "specifications" above
- refer to F1 spares & accessories & ND condensate drain section for a complete list of accessories & drains